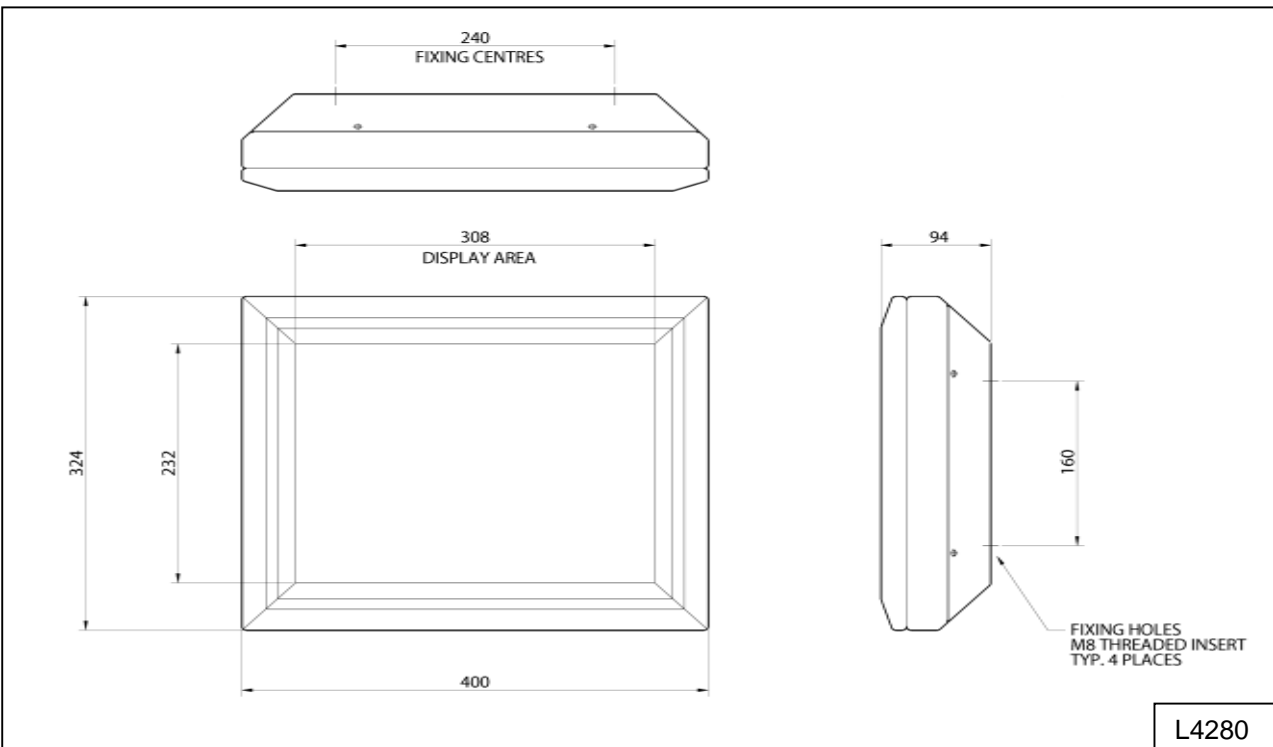


TFT DISPLAY 15"

Part No. LD7020



SPECIFICATIONS

Single sided Thin Film Transistor (TFT) LCD display used as a departure/arrivals summary board. The format of display fields, characters sizes, number of characters per line, fonts, and colours can be chosen by the user and optimised to suit the application.

Display: Variable. Resolution: 1024 x 768
 Dimensions: 400mm long, 324mm high, 94mm wide
 Weight: 7Kg
 Power Consumption: 60 Watts